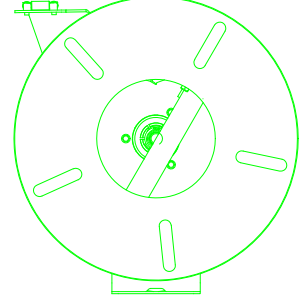
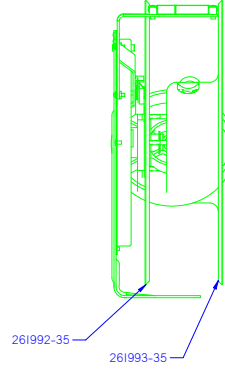
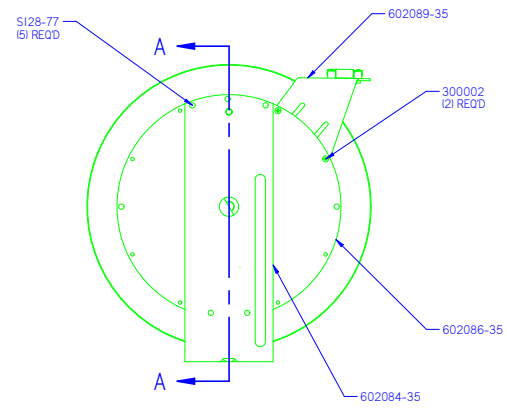
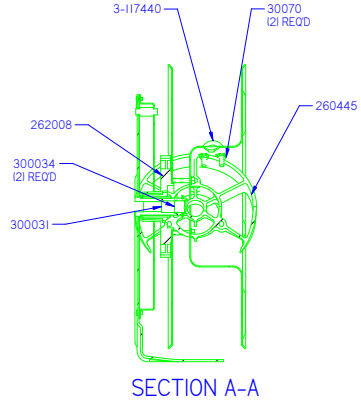
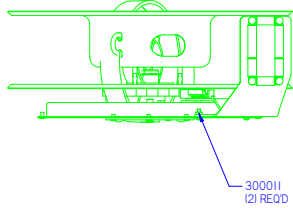
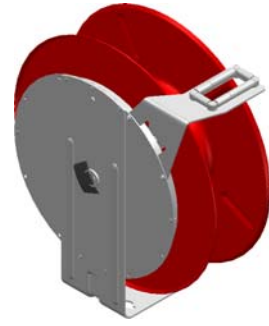


LTR	DESCRIPTION	DATE	E.C.N
A1	NEW RELEASE	8/7/06	9541
B1	ADDED 262225 PATENT LABEL	12/31/07	109111
C1	REMOVED K850LP_1	2/9/10	127345URP
D1	REMOVED CARTON 262025	7/6/10	13215

K850LP-X



**INCLUDED BUT NOT SHOWN:**

- (II) REQ'D 602103 SWIVEL ASSY
- (II) REQ'D 601021-50 HOSE ASSY
- (II) REQ'D A2-HR1004-3 HOSE BUMPER ASSY
- (II) REQ'D "A" CARTON LABEL
- (II) REQ'D "B" NAME PLATE
- (II) REQ'D 1169-505 MANUAL
- (II) REQ'D 262041 CARTON LINER
- (II) REQ'D 260513 PLASTIC BAG
- (II) REQ'D 262225 PATENT LABEL (C)

	"A"	"B"
K850LP X	CARTON LABEL	NAME PLATE
K850LP	260731	260449

WITHIN: NOTED NONE NONE 27.3 LBS	UNLESS OTHERWISE NOTED, DIMENSIONS ARE IN INCHES. FRACTIONS ARE TO HIGHEST FRACTIONING REF. TO HIGHEST FRACTIONING. BREAK SHARP CORNERS MUST TO BE ROUNDED OR MATCH SURFACES ARE.	REELCRAFT REELCRAFT CORPORATION 10000 W. 10TH AVE., DENVER, CO 80202	PART NO. USED ON K SERIES 1/2 X 50' THIS MATERIAL IS OWNED BY REELCRAFT CORPORATION AND IS NOT TO BE REPRODUCED OR DISTRIBUTED WITHOUT WRITTEN PERMISSION.	PART NO. USED ON K850LP-X
--	---	--	---	---------------------------------