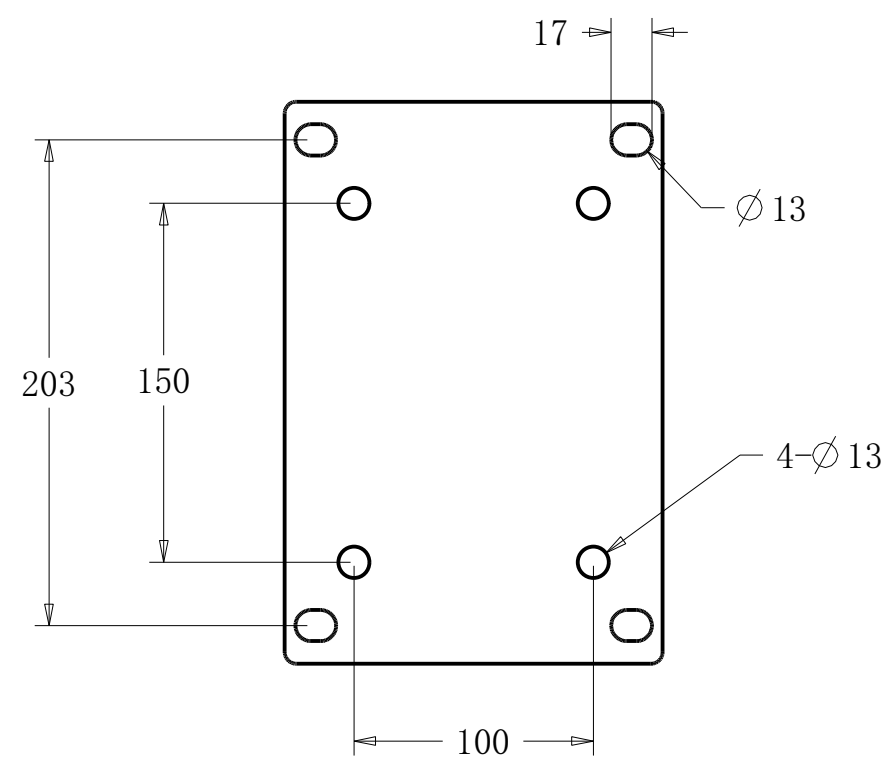
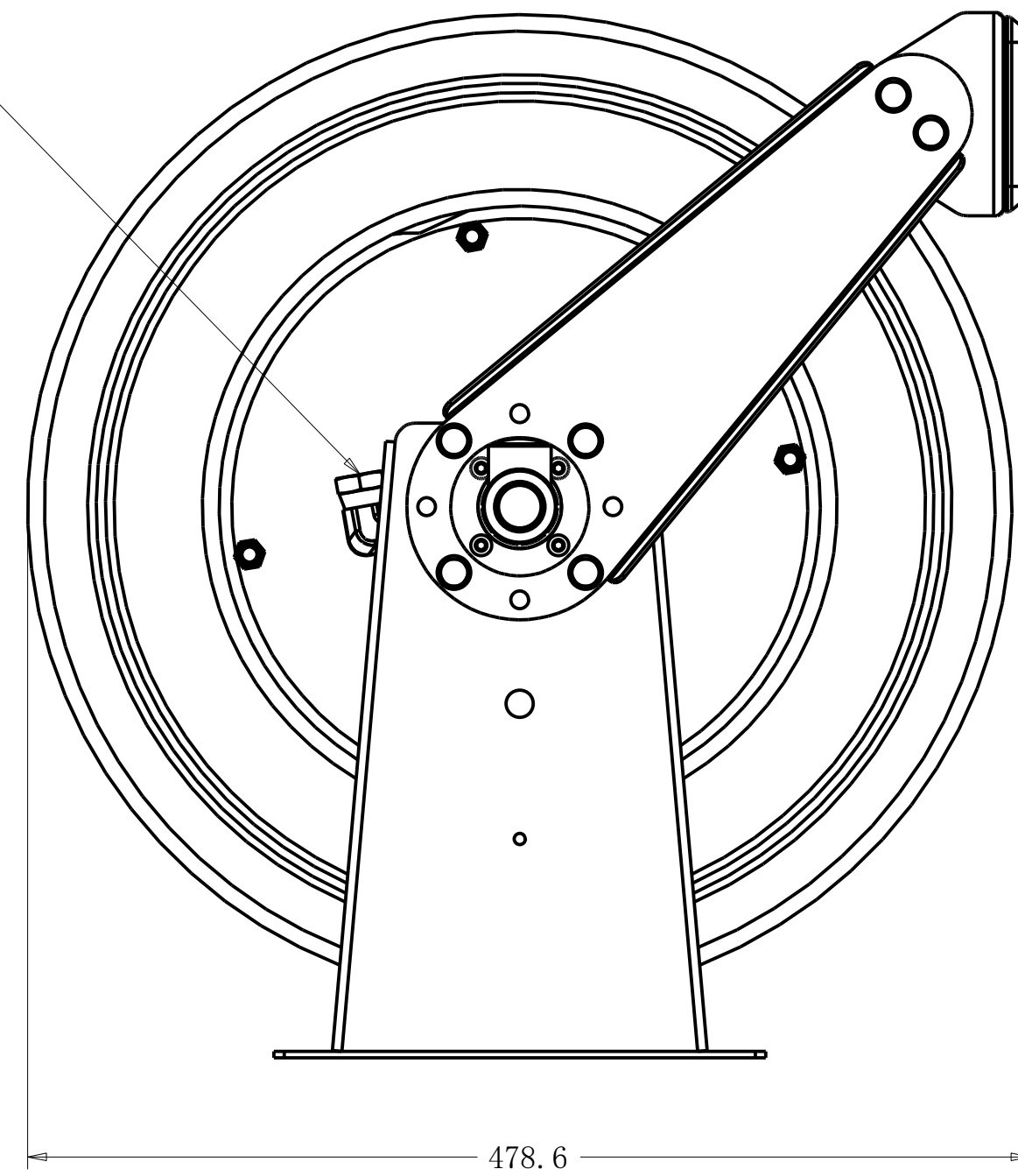


3/8 NPSM (F) 60度外锥  
可以配3/8 NPT外螺纹60度内锥



				<b>REELCRAFT</b>		PROJECTION:		UNLESS OTHERWISE NOTED: DIMENSIONS ARE AFTER PLATING DIMENSIONS ARE IN INCHES. REMOVE BURRS, OXIDE SCALE, BREAK SHARP EDGES. CORNERS NOT TO EXCEED .015 MACH. SURFACES ARE $\sqrt{R3}$ MAX		TOLERANCES (UNLESS NOTED): LENGTH X ± .5 X.X ± .1 X.XX ± .06 X.XXX ± .005	
				THIS DRAWING AND IT'S CONTENTS ARE OWNED BY REELCRAFT INDUSTRIES INC. AND IS NOT TO BE REPRODUCED OR DISTRIBUTED WITHOUT WRITTEN PERMISSION.		THE PRODUCT SHALL NOT CONTAIN HEXAVALENT CHROMIUM IN CONCENTRATIONS ABOVE 0.1% W/W ON EACH HOMOGENOUS MATERIAL		RE NO. XXXXX		ANGLE X' ± 1' X.X' ± .5' X.XX' ± .05' CONC. T.I.R .010	
				MATERIAL: ASS'Y		DESCRIPTION:		HOSE REEL ASS'Y			
				FINISH: NONE		MODEL NUMBER:		DLC6XX OXP		3D FILENAME	
				WEIGHT: 12 Kg						SHEET:	
REV.	DESCRIPTION	ECN	DATE:	AUTHOR: ZYH	SCALE: 1:3	SHEET SIZE: B				1 OF 1	