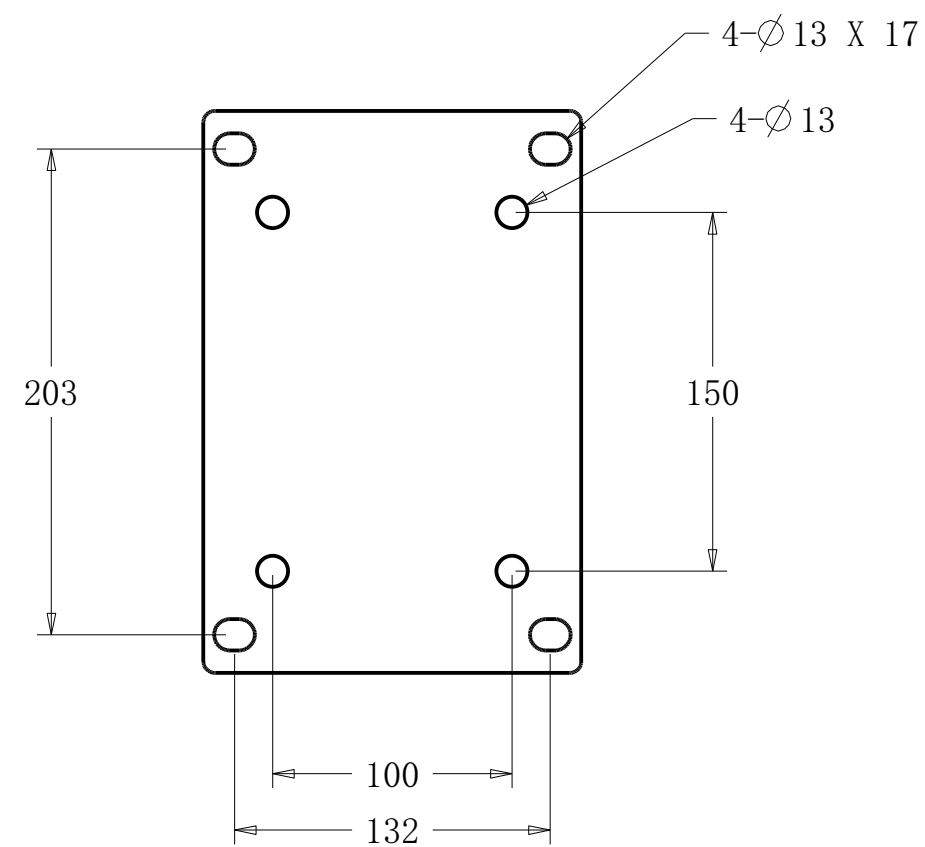
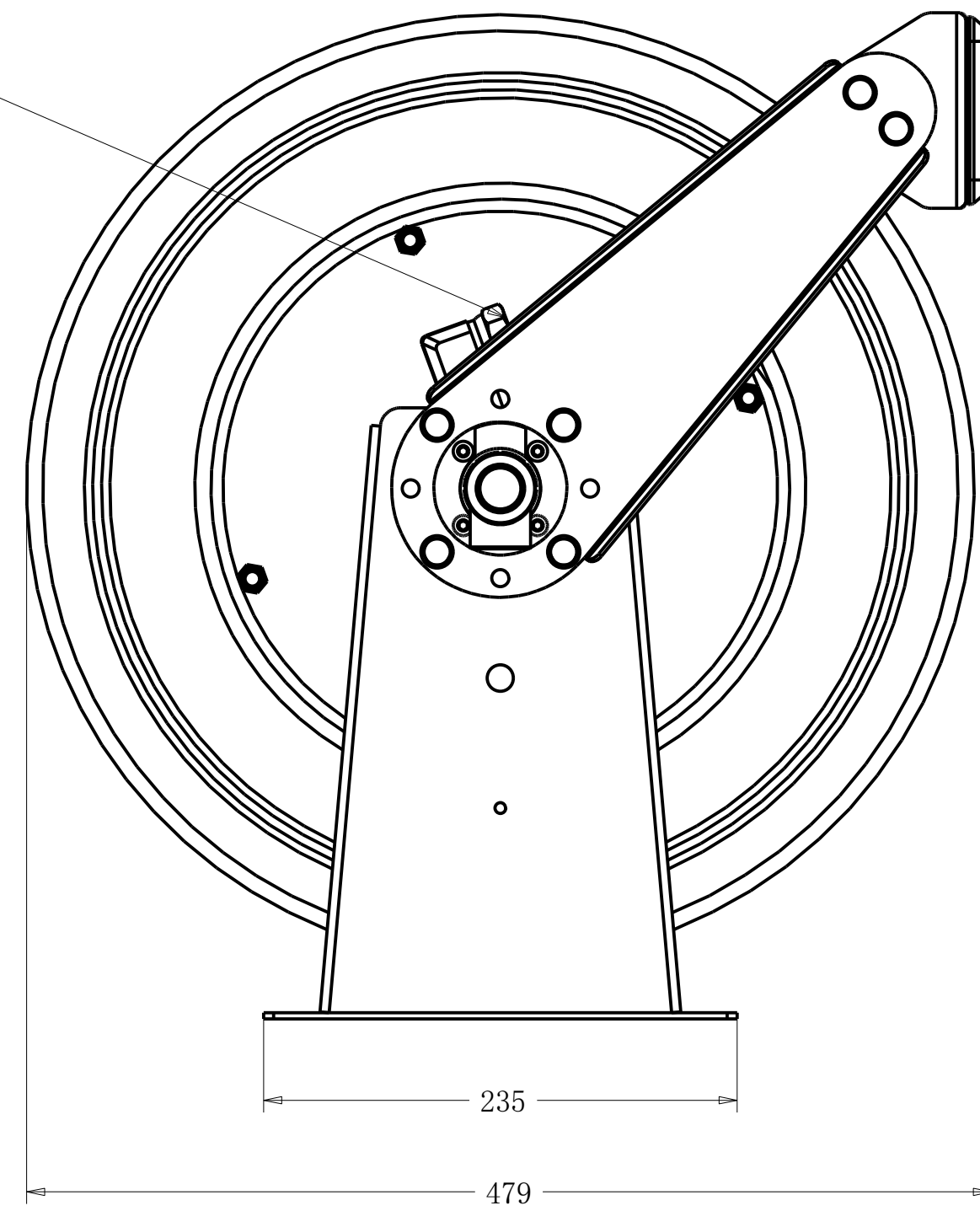


1/2 NPSM 60° 外锥



				REELCRAFT			PROJECTION:	UNLESS OTHERWISE NOTED: DIMENSIONS ARE AFTER PLATING DIMENSIONS ARE IN INCHES. REMOVE BURRS, OXIDE SCALE, BREAK SHARP EDGES. CORNERS NOT TO EXCEED .015 MACH. SURFACES ARE $\sqrt{R3}$ MAX	TOLERANCES (UNLESS NOTED): LENGTH X ± .5 X.X ± .1 X.XX ± .06 X.XXX ± .005	ANGLE X° ± 1° X.X° ± .5° X.XX° ± .05° CONC. T.I.R. .010
				THIS DRAWING AND IT'S CONTENTS ARE OWNED BY REELCRAFT INDUSTRIES INC. AND IS NOT TO BE REPRODUCED OR DISTRIBUTED WITHOUT WRITTEN PERMISSION.			RE. NO. XXXXX			
				MATERIAL: ASS'Y			DESCRIPTION: HOSE REEL ASSY			
				FINISH: NONE						
				WEIGHT: 15 Kg			MODEL NUMBER: DLC8XX-OXP			
REV.	DESCRIPTION	ECN	DATE:	AUTHOR: ZYH	SCALE: 1:3	SHEET SIZE: B	3D FILENAME		SHEET:	
AI	NEW RELEASE	18062601	19-3-2						1 OF 1	